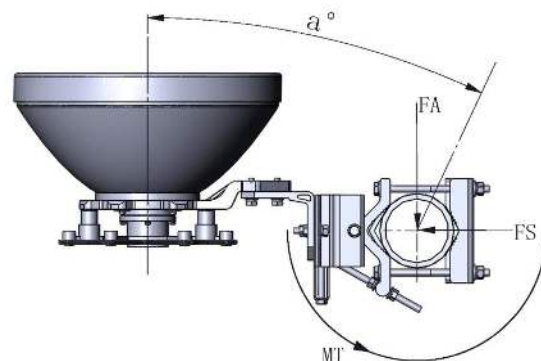


**0.3m Ultra High Performance Antenna, Dual-Polarized, 10.125~11.7GHz**
**Electrical Specifications**

Frequency (GHz)	10.125 ~ 11.7
Polarization	Dual (V and H)
Gain, Low (dBi)	28.7
Gain, Mid (dBi)	29.3
Gain, Top (dBi)	30.2
Beamwidth (deg)	5.5
Cross - pol. Discrimination_XPD (dB)	30
F/B Ratio (dB)	55
ISO. (dB)	35
VSWR (max)	1.5


**Mechanical Specifications**

Diameter (m)	0.3
Antenna Color	RAL9016
Flange Interface	UDR100 or Customized
Radome Options	UV-ABS
Azimuth Adjustment	Coarse : 360 ° Fine : ±15 °
Elevation Adjustment	Coarse : ±25 ° Fine : ±15 °
Diameter of Mounting Pole (mm)	Φ 51~Φ 114
Wind Velocity Survival Rating (km/h)	252
Wind Velocity Operational (km/h)	200
Ice-load (mm)	25.4
Operational Temperature (°C)	- 45~+60
Packaging	Carton
L×W×H (mm)	560x510x320


**Wind Load Specifications**

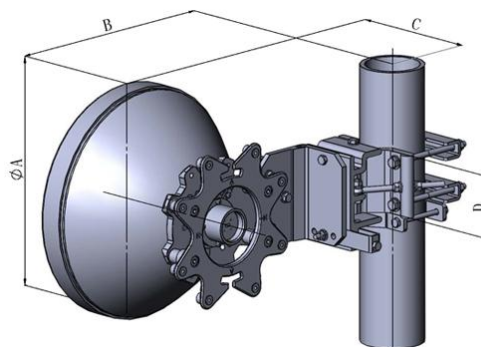
Axial Force (N) @ survival wind speed	444
Side Force (N) @ survival wind speed	219
Twisting Moment (N·m) @ survival wind speed	141

**Dimension in mm**

A	B	C	D
412	415	236	170

**Note:**

1. The values of B and C are measured at the pole diameter of 114mm
2. The thickness of the radome is not included in the dimensions of A and C


**SANNY TELECOM EQUIPMENT CO., LTD**

Address: Room 201 Building 1, Wanyang Industrial Park, No.82 Xiaotang Industrial Avenue, Shishan Town, Nanhai District, Foshan City 528223, Guangdong Province, China

Tel: +86 757 8766 0070

Fax: +86 757 8766 0500

Email: sales@sannytelecom.com

Website: [www.sannytelecom.com](http://www.sannytelecom.com)