

## 0.6m Ultra High Performance Antenna, Dual-Polarized, 10.125~11.7GHz

### Electrical Specifications

Frequency (GHz)	10.125 ~ 11.7
Polarization	Dual (V and H)
Gain, Low (dBi)	33.8
Gain, Mid (dBi)	34.5
Gain, Top (dBi)	35.2
Beamwidth (deg)	3.3
Cross - pol. Discrimination_XPD (dB)	30
F/B Ratio (dB)	61
ISO. (dB)	35
VSWR (max)	1.5

### Mechanical Specifications

Diameter (m)	0.6
Antenna Color	RAL9016
Flange Interface	UDR100 or Customized
Radome Options	UV-ABS
Azimuth Adjustment	Coarse : 360 ° Fine : ±15 °
Elevation Adjustment	Coarse : ±25 ° Fine : ±15 °
Diameter of Mounting Pole (mm)	Φ51~Φ114
Wind Velocity Survival Rating (km/h)	252
Wind Velocity Operational (km/h)	200
Ice-load (mm)	25.4
Operational Temperature (°C)	- 45~+60
Packaging	Carton
L×W×H (mm)	775x775x440

### Wind Load Specifications

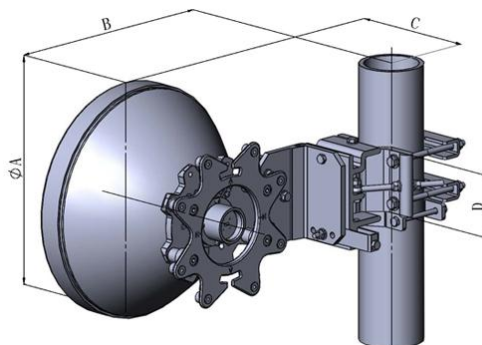
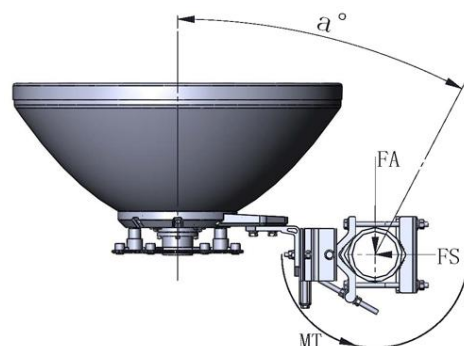
Axial Force (N) @ survival wind speed	1124
Side Force (N) @ survival wind speed	601
Twisting Moment (N•m) @ survival wind speed	484

### Dimension in mm

A	B	C	D
690	415	360	170

**Note:**

1. The values of B and C are measured at the pole diameter of 114mm
2. The thickness of the radome is not included in the dimensions of A and C



### SANNY TELECOM EQUIPMENT CO., LTD

Address: Room 201 Building 1, Wanyang Industrial Park, No.82 Xiaotang Industrial Avenue, Shishan Town, Nanhai District, Foshan City 528223, Guangdong Province, China

Tel: +86 757 8766 0070

Fax: +86 757 8766 0500

Email: sales@sannytelecom.com

Website: [www.sannytelecom.com](http://www.sannytelecom.com)