

**3.0m Ultra High Performance Antenna, Dual-Polarized, 10.125~11.7GHz**
**Electrical Specifications**

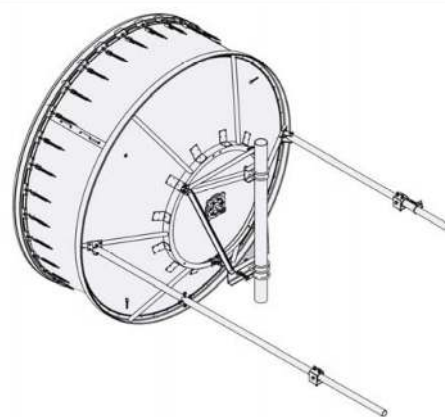
Frequency (GHz)	20.125~22.7
Polarization	Dual (V and H)
Gain, Low (dBi)	47.7
Gain, Mid (dBi)	48.3
Gain, Top (dBi)	48.9
Beamwidth (deg)	0.7
Cross - pol. Discrimination_XPD (dB)	30
F/B Ratio (dB)	71
ISO. (dB)	35
VSWR (max)	1.3

**Mechanical Specifications**

Diameter (m)	3.0
Antenna Color	RAL9016
Flange Interface	UDR100 or Customized
Radome Options	High-strength Compound Fabric
Azimuth Adjustment	Coarse : 360 ° Fine : ±15 °
Elevation Adjustment	Coarse : ±10 ° Fine : ±10 °
Diameter of Mounting Pole (mm)	Φ51~Φ114
Antenna Weight (kg)	293
Wind Velocity Survival Rating (km/h)	198
Wind Velocity Operational (km/h)	110
Ice-load (mm)	25.4
Operational Temperature (°C)	- 45~+65
Packaging	Wooden

**Wind Load Specifications**

Axial Force (FA) (N) @ survival wind speed	19710
Side Force (FS) (N) @ survival wind speed	9727
Twisting Moment (N•m) @ survival wind speed	5026


**SANNY TELECOM EQUIPMENT CO., LTD**

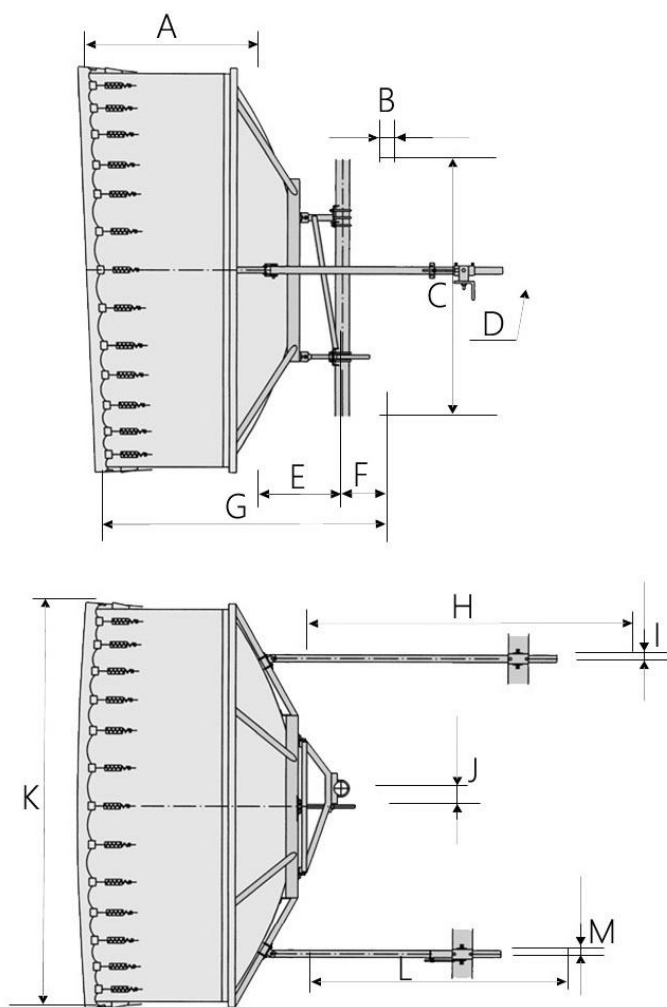
Address: Room 201 Building 1, Wanyang Industrial Park, No.82 Xiaotang Industrial Avenue,  
Shishan Town, Nanhai District, Foshan City 528223, Guangdong Province, China

Tel: +86 757 8766 0070

Fax: +86 757 8766 0500

Email: sales@sannytelecom.com

Website: [www.sannytelecom.com](http://www.sannytelecom.com)



**Antenna Dimensions**  
All dimensions are in mm

A	1005
B	114
C	1320
D	M20
E	576
F	352
G	2178
H	3000
I	60
J	150
K	3340
L	2000
M	60

**SANNY TELECOM EQUIPMENT CO., LTD**

Address: Room 201 Building 1, Wanyang Industrial Park, No.82 Xiaotang Industrial Avenue,  
Shishan Town, Nanhai District, Foshan City 528223, Guangdong Province, China

Tel: +86 757 8766 0070

Fax: +86 757 8766 0500

Email: sales@sannytelecom.com

Website: [www.sannytelecom.com](http://www.sannytelecom.com)