

1.5m Ultra High Performance Antenna, Dual Polarized, 5.85~7.2GHz
Electrical Specifications

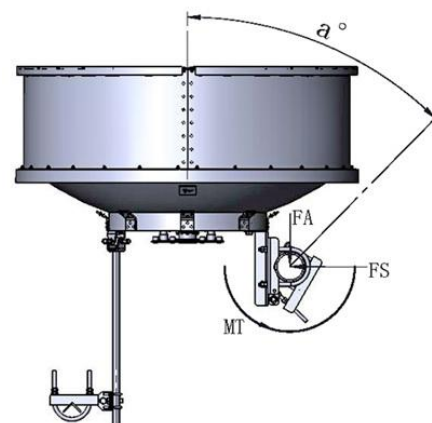
Frequency (GHz)	5.85~7.2
Polarization	H+V / $\pm 45^\circ$
Gain, Low (dBi)	37.5
Gain, Mid (dBi)	38.6
Gain, Top (dBi)	39.2
Beamwidth (deg)	1.8
Cross-Pol. Discrimination_XPD (dB)	30
F/B Ratio (dB)	50
ISO. (dB)	30
VSWR (max)	1.3

Mechanical Specifications

Diameter (m)	1.5
Antenna Color	RAL9016
Flange Interface	UDR84 or Customized
Radome Options	High-strength Compound Fabric
Azimuth Adjustment	Coarse : 360 ° Fine : $\pm 15^\circ$
Elevation Adjustment	Coarse : $\pm 10^\circ$ Fine : $\pm 10^\circ$
Diameter of Mounting Pole (mm)	$\Phi 51\sim\Phi 114$
Wind Velocity Survival Rating (km/h)	252
Wind Velocity Operational (km/h)	200
Ice-load (mm)	25.4
Operational Temperature (°C)	- 45~+60
Packaging	Wooden
L×W×H (mm)	1620x645x2150

Wind Load Specifications

Axial Force (FA) (N) @ survival wind speed	7170
Side Force (FS) (N) @ survival wind speed	2754
Twisting Moment (N·m) @ survival wind speed	3139


SANNY TELECOM EQUIPMENT CO., LTD

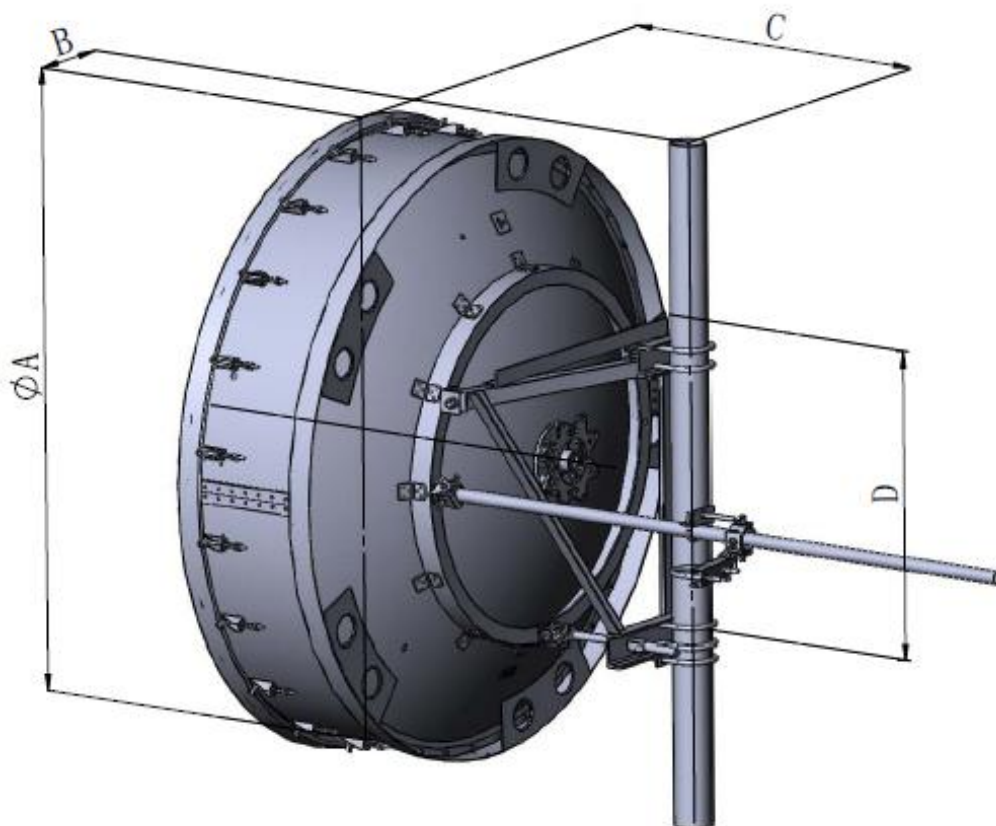
Address: Room 201 Building 1, Wanyang Industrial Park, No.82 Xiaotang Industrial Avenue, Shishan Town, Nanhai District, Foshan City 528223, Guangdong Province, China

Tel: +86 757 8766 0070

Fax: +86 757 8766 0500

Email: sales@sannytelecom.com

Website: www.sannytelecom.com


Dimension in mm

A	B	C	D
$\Phi 1560$	278	1025	965

Note:

1. The values of B and C are measured at the pole diameter of 114mm
2. The thickness of the radome is not included in the dimensions of A and C

SANNY TELECOM EQUIPMENT CO., LTD

Address: Room 201 Building 1, Wanyang Industrial Park, No.82 Xiaotang Industrial Avenue,
 Shishan Town, Nanhai District, Foshan City 528223, Guangdong Province, China

Tel: +86 757 8766 0070

Fax: +86 757 8766 0500

Email: sales@sannytelecom.com

Website: www.sannytelecom.com