

1.8m Ultra High Performance Antenna, Dual Polarized, 5.85~7.2GHz
Electrical Specifications

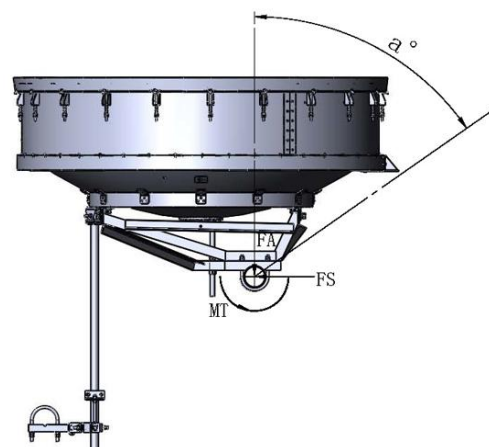
Frequency (GHz)	5.85-7.2
Polarization	Dual (V and H)
Gain, Low (dBi)	40.5
Gain, Mid (dBi)	41.3
Gain, Top (dBi)	41.8
Beamwidth (deg)	1.5
Cross-Pol. Discrimination_XPD (dB)	30
F/B Ratio (dB)	60
ISO. (dB)	35
VSWR (max)	1.3

Mechanical Specifications

Diameter (m)	1.8
Antenna Color	RAL9016
Flange Interface	UDR84 or Customized
Radome Options	High-strength Compound Fabric
Azimuth Adjustment	Coarse : 360 ° Fine : ± 5 °
Elevation Adjustment	Coarse : ± 5 ° Fine : ± 5 °
Diameter of Mounting Pole (mm)	Φ51~Φ114
Antenna Weight (KG)	173
Wind Velocity Survival Rating (km/h)	250
Wind Velocity Operational (km/h)	110
Ice-load (mm)	25.4
Operational Temperature (°C)	- 45~+65
Packaging	Wooden
L×W×H (mm)	2000 x 645 x 2150

Wind Load Specifications

Axial Force (FA) (N) @ survival wind speed	7170
Side Force (FS) (N) @ survival wind speed	2754
Twisting Moment (N•m) @ survival wind speed	3139


SANNY TELECOM EQUIPMENT CO., LTD

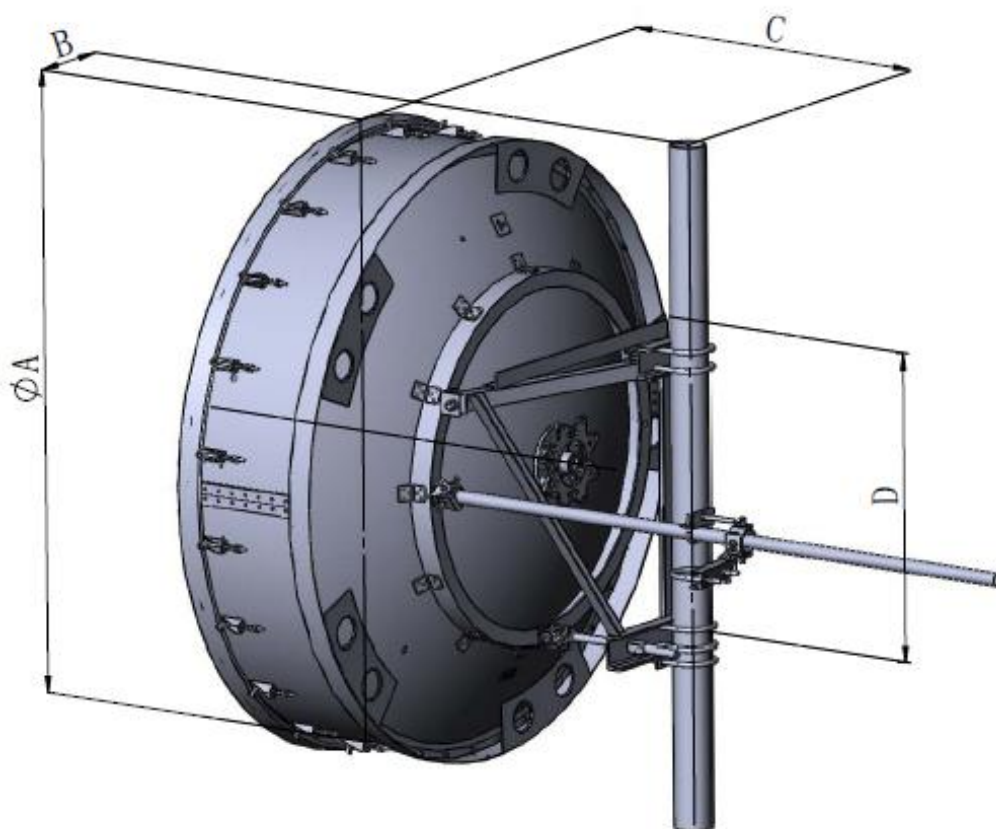
Address: Room 201 Building 1, Wanyang Industrial Park, No.82 Xiaotang Industrial Avenue, Shishan Town, Nanhai District, Foshan City 528223, Guangdong Province, China

Tel: +86 757 8766 0070

Fax: +86 757 8766 0500

Email: sales@sannytelecom.com

Website: www.sannytelecom.com



Dimension in mm			
A	B	C	D
$\Phi 1920$	278	1025	965
<p>Note:</p> <ol style="list-style-type: none"> 1. The values of B and C are measured at the pole diameter of 114mm 2. The thickness of the radome is not included in the dimensions of A and C 			

SANNY TELECOM EQUIPMENT CO., LTD

Address: Room 201 Building 1, Wanyang Industrial Park, No.82 Xiaotang Industrial Avenue, Shishan Town, Nanhai District, Foshan City 528223, Guangdong Province, China

Tel: +86 757 8766 0070

Email: sales@sannytelecom.com

Fax: +86 757 8766 0500

Website: www.sannytelecom.com