

**1.8m Ultra High Performance Antenna, Direct Dual Polarized, 4.9~6.5GHz**
**Electrical Specifications**

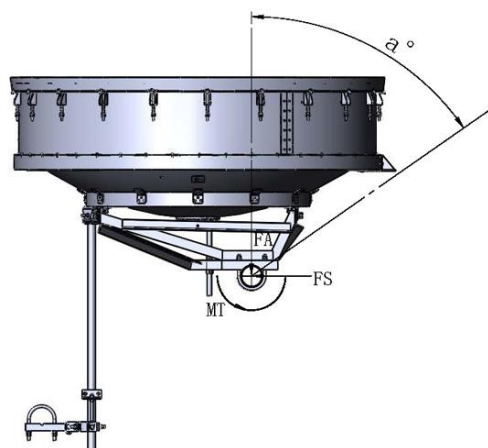
|                                    |                |
|------------------------------------|----------------|
| Frequency (GHz)                    | 4.9-6.5        |
| Polarization                       | Dual (V and H) |
| Gain, Low (dBi)                    | 38.3           |
| Gain, Mid (dBi)                    | 39.2           |
| Gain, Top (dBi)                    | 39.7           |
| Beamwidth (deg)                    | 1.7            |
| Cross-Pol. Discrimination_XPD (dB) | 30             |
| F/B Ratio (dB)                     | 60             |
| ISO. (dB)                          | 35             |
| VSWR (max)                         | 1.3            |

**Mechanical Specifications**

|                                      |                             |
|--------------------------------------|-----------------------------|
| Diameter (m)                         | 1.8                         |
| Antenna Color                        | RAL9016                     |
| Wave-guide Size                      | 153 IEC-R84                 |
| Radome Options                       | Fabric                      |
| Azimuth Adjustment                   | Coarse : 360 ° Fine : ± 5 ° |
| Elevation Adjustment                 | Coarse : ± 5 ° Fine : ± 5 ° |
| Diameter of Mounting Pole (mm)       | Φ51~Φ114                    |
| Antenna Weight (KG)                  | 173                         |
| Wind Velocity Survival Rating (km/h) | 250                         |
| Wind Velocity Operational (km/h)     | 110                         |
| Ice-load (mm)                        | 25.4                        |
| Operational Temperature (°C)         | - 45~+65                    |
| Packaging                            | Wooden                      |
| L×W×H (mm)                           | 2000 x 645 x 2150           |

**Wind Load Specifications**

|   |      |
|---|------|
| Axial Force (FA) (N) @ survival wind speed  | 7170 |
| Side Force (FS) (N) @ survival wind speed   | 2754 |
| Twisting Moment (N·m) @ survival wind speed | 3139 |


**SANNY TELECOM EQUIPMENT CO., LTD**

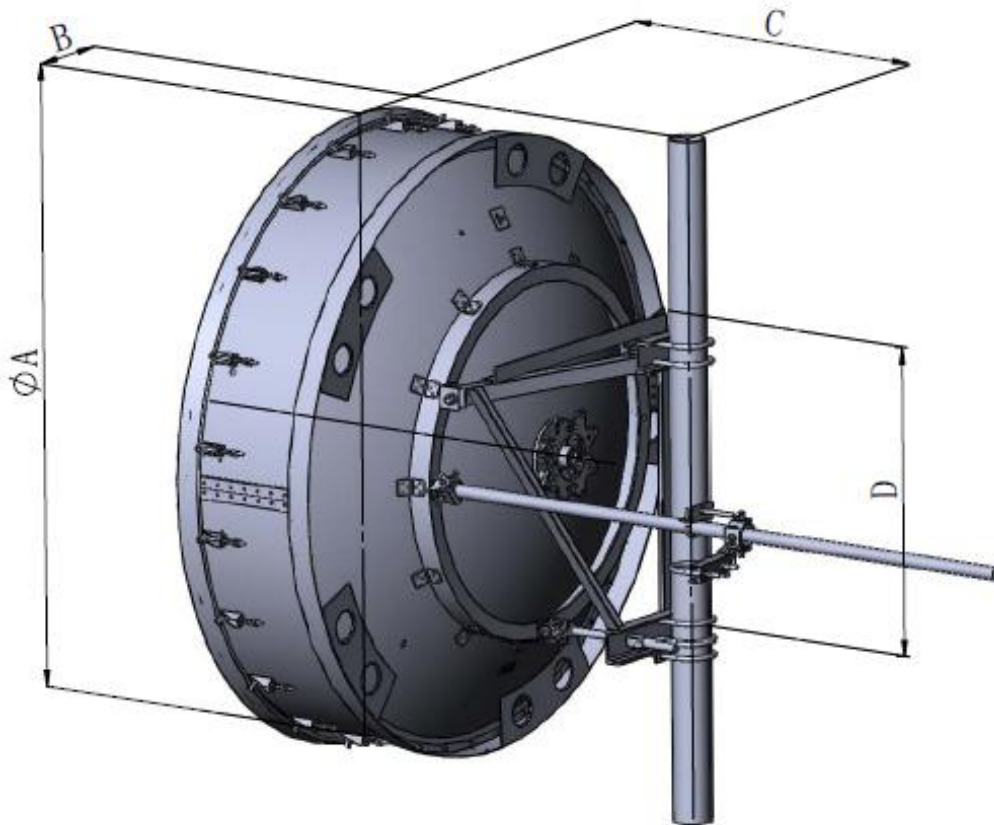
Address: Room 201 Building 1, Wanyang Industrial Park, No.82 Xiaotang Industrial Avenue, Shishan Town, Nanhai District, Foshan City 528223, Guangdong Province, China

Tel: +86 757 8766 0070

Fax: +86 757 8766 0500

Email: sales@sannytelecom.com

 Website: [www.sannytelecom.com](http://www.sannytelecom.com)



### Dimension in mm

| A           | B   | C    | D   |
|-------------|-----|------|-----|
| $\Phi 1920$ | 278 | 1025 | 965 |

**Note:**

1. The values of B and C are measured at the pole diameter of 114mm
2. The thickness of the radome is not included in the dimensions of A and C

**SANNY TELECOM EQUIPMENT CO., LTD**

Address: Room 201 Building 1, Wanyang Industrial Park, No.82 Xiaotang Industrial Avenue,  
 Shishan Town, Nanhai District, Foshan City 528223, Guangdong Province, China

Tel: +86 757 8766 0070

Fax: +86 757 8766 0500

Email: sales@sannytelecom.com

Website: [www.sannytelecom.com](http://www.sannytelecom.com)