

**1.8m Ultra High Performance Antenna, Dual-Polarized, 7.125~8.5GHz**
**Electrical Specifications**

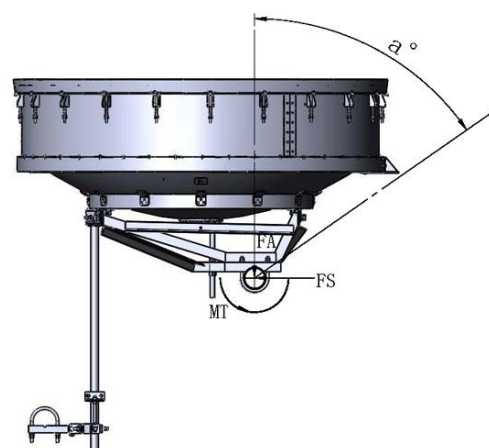
Frequency (GHz)	7.125~8.5
Polarization	Dual (V and H)
Gain, Low (dBi)	40.1
Gain, Mid (dBi)	40.8
Gain, Top (dBi)	41.1
Beamwidth (deg)	1.5
Cross - pol. Discrimination_XPD (dB)	30
F/B Ratio (dB)	67
ISO. (dB)	30
VSWR (max)	1.3

**Mechanical Specifications**

Diameter (m)	1.8
Antenna Color	RAL9016
Flange Interface	UDR84 or Customized
Radome Options	High-strength Compound Fabric
Azimuth Adjustment	Coarse : 360 ° Fine : ±15 °
Elevation Adjustment	Coarse : ±10 ° Fine : ±10 °
Diameter of Mounting Pole (mm)	Φ51~Φ114
Antenna Weight (kg)	173
Wind Velocity Survival Rating (km/h)	250
Wind Velocity Operational (km/h)	110
Ice-load (mm)	25.4
Operational Temperature (°C)	- 45~+65
Packaging	Wooden
L×W×H (mm)	2000 x 645 x 2150 mm

**Wind Load Specifications**

Axial Force (FA) (N) @ survival wind speed	10810
Side Force (FS) (N) @ survival wind speed	5335
Twisting Moment (N•m) @ survival wind speed	3081


**SANNY TELECOM EQUIPMENT CO., LTD**

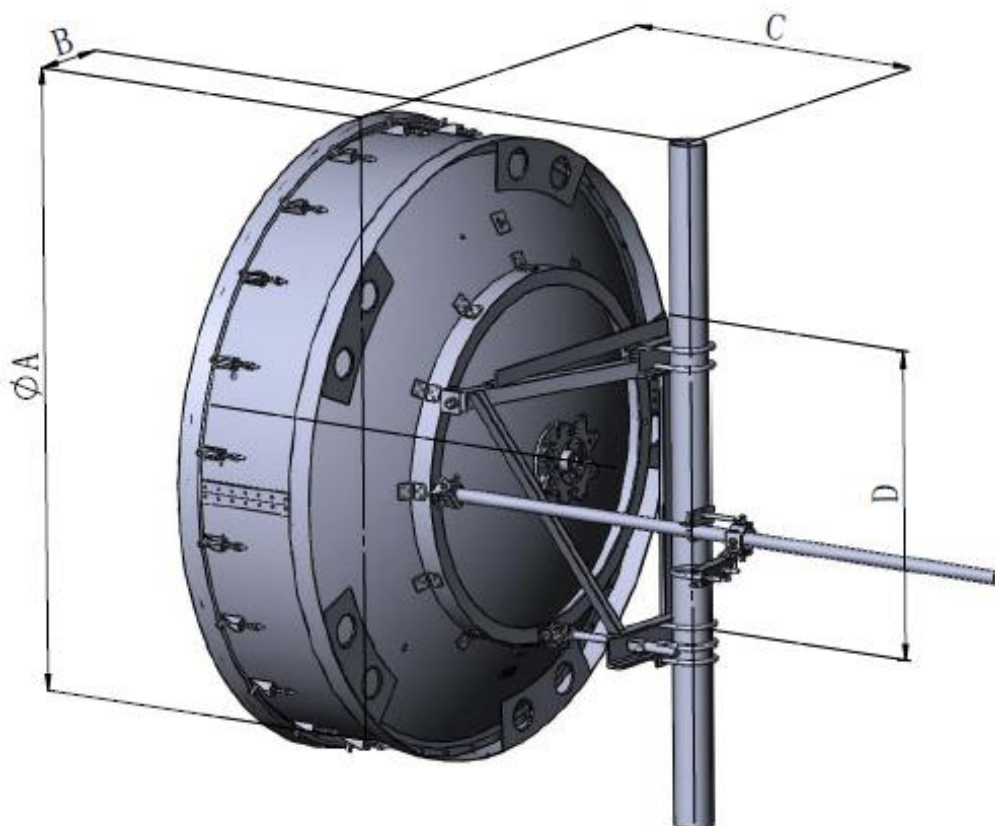
Address: Room 201 Building 1, Wanyang Industrial Park, No.82 Xiaotang Industrial Avenue,  
Shishan Town, Nanhai District, Foshan City 528223, Guangdong Province, China

Tel: +86 757 8766 0070

Fax: +86 757 8766 0500

Email: sales@sannytelecom.com

Website: [www.sannytelecom.com](http://www.sannytelecom.com)



Dimension in mm				
Antenna size (mm)	A	B	C	D
	Φ1920	278	1025	965

**SANNY TELECOM EQUIPMENT CO., LTD**

Address: Room 201 Building 1, Wanyang Industrial Park, No.82 Xiaotang Industrial Avenue,  
Shishan Town, Nanhai District, Foshan City 528223, Guangdong Province, China

Tel: +86 757 8766 0070

Fax: +86 757 8766 0500

Email: sales@sannytelecom.com

Website: [www.sannytelecom.com](http://www.sannytelecom.com)